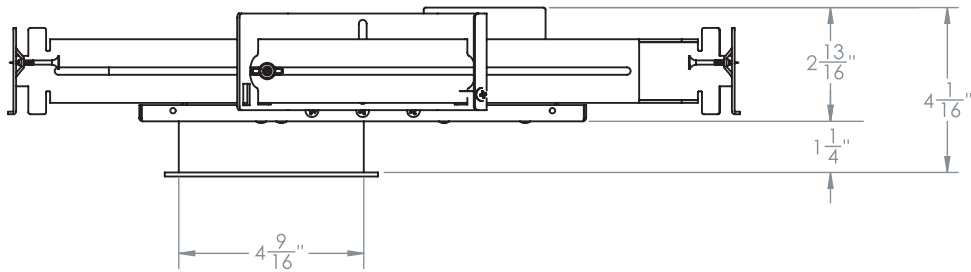
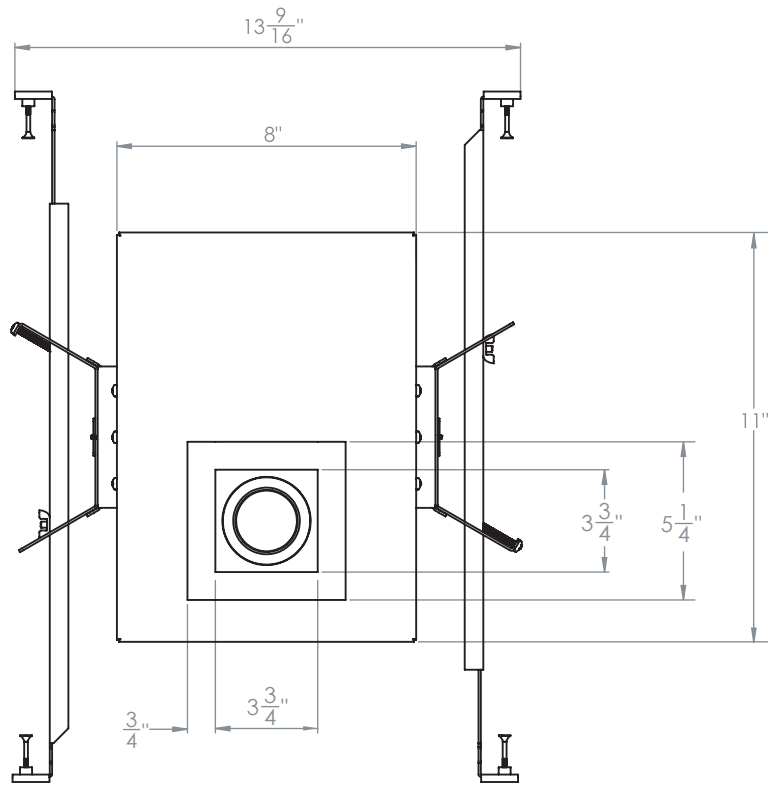


3.75" Gyro Shift Multiple 1 Head Trim

Non-IC Adjustable New Construction Housing

S3F-1LRN



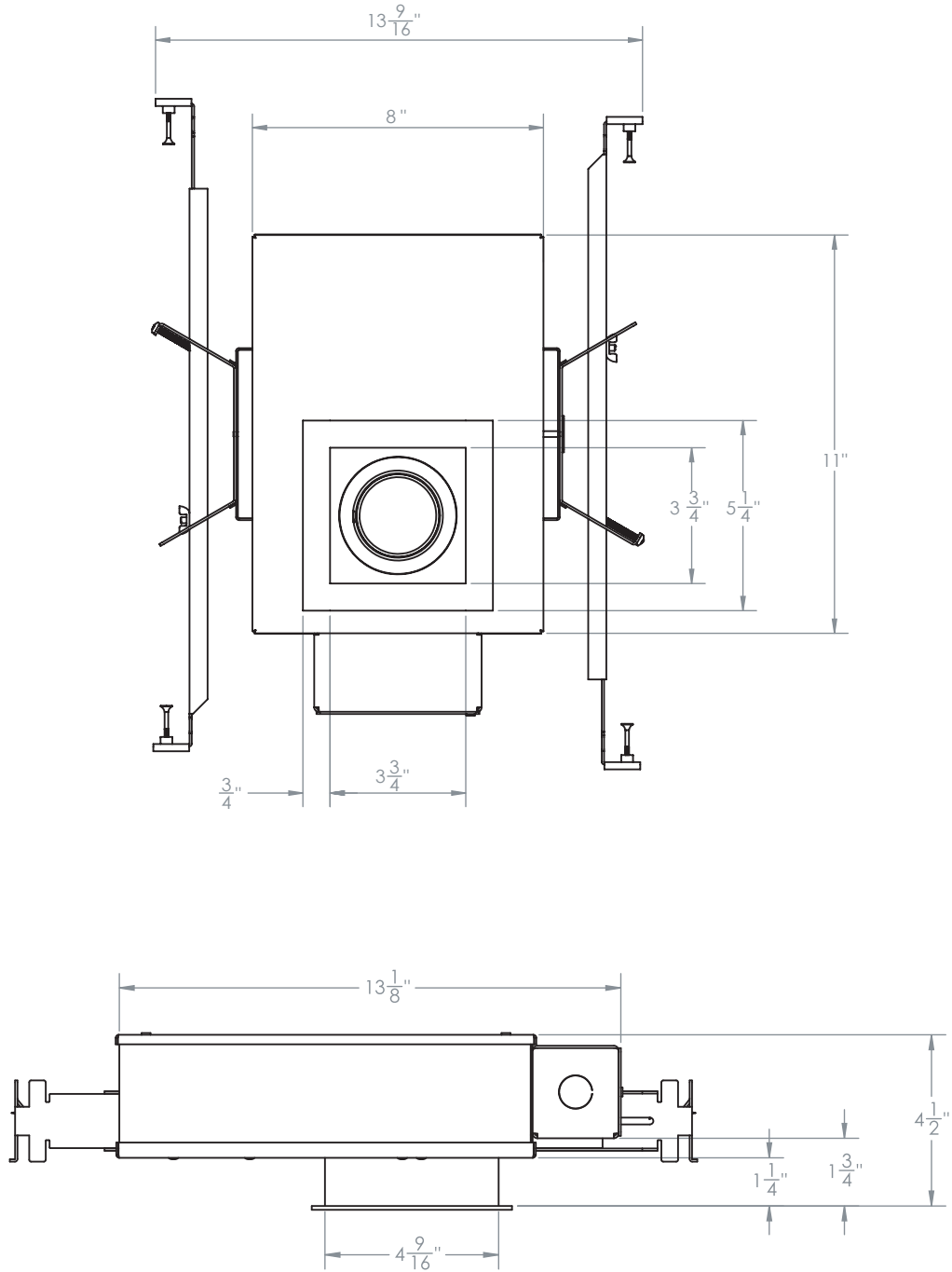
Ceiling Cut-out: $4\frac{5}{8}$ " \times $4\frac{5}{8}$ "

Revised 09/18/18

3.75" Gyro Shift Multiple 1 Head Trim

IC Air-Tight Adjustable New Construction Housing

S3F-1LRI



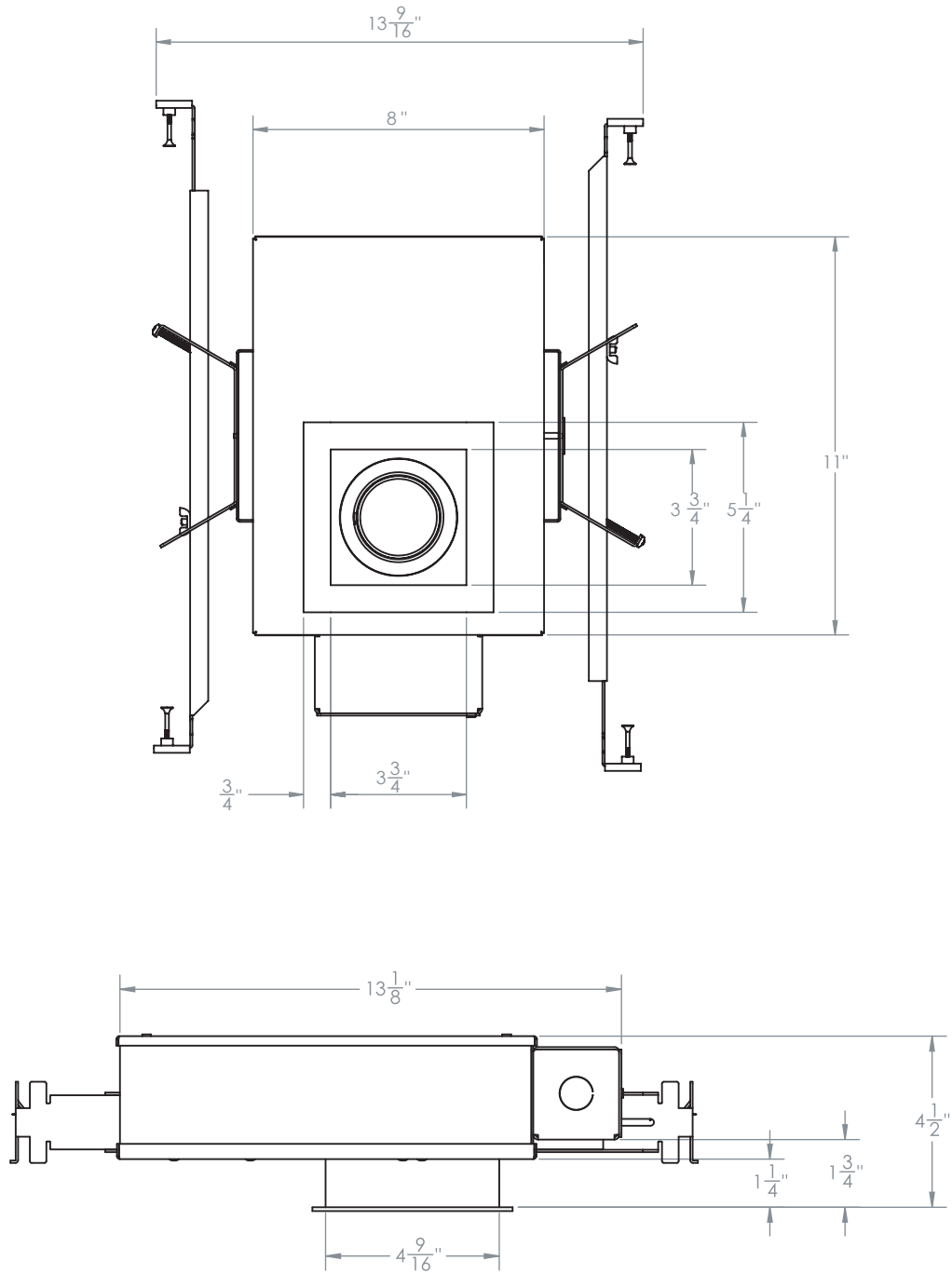
Ceiling Cut-out: 4 5/8" x 4 5/8"

Revised 09/18/18

3.75" Gyro Shift Multiple 1 Head Trim

Chicago Rated Adjustable New Construction Housing

S3F-1LRC



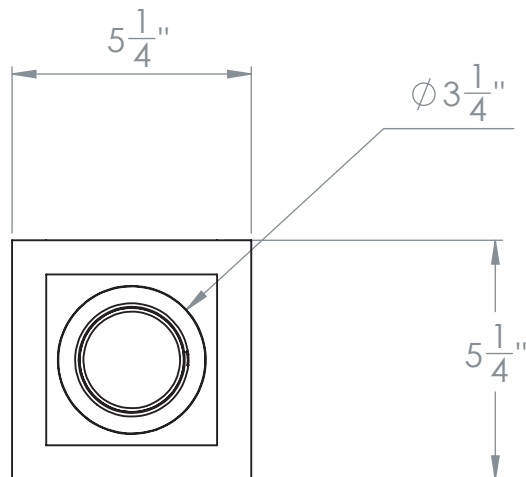
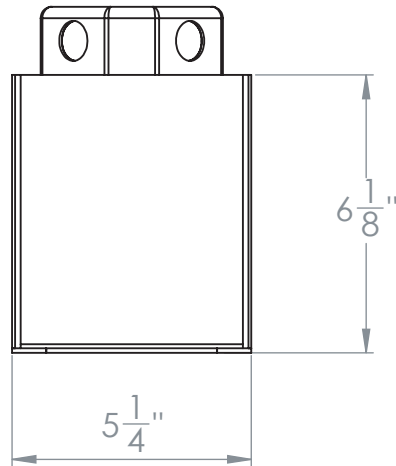
Ceiling Cut-out: $4\frac{5}{8}$ " \times $4\frac{5}{8}$ "

Revised 09/18/18

3.75" Gyro Shift Multiple 1 Head Trim

Flush Mount Adjustable Architectural Housing

S3FA-1LFL

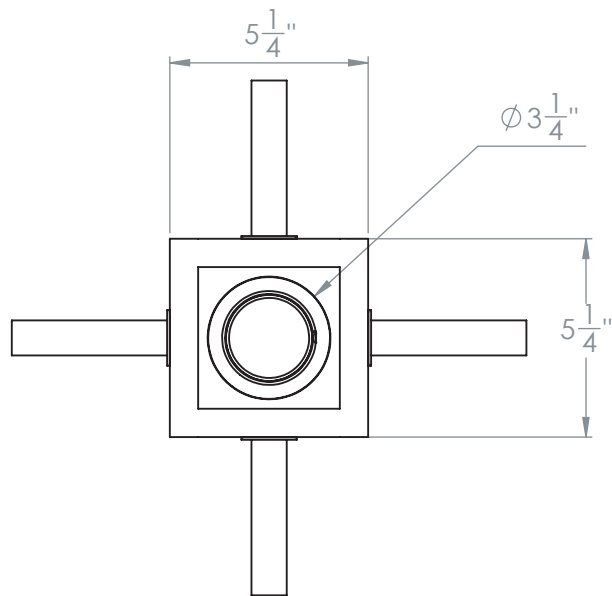
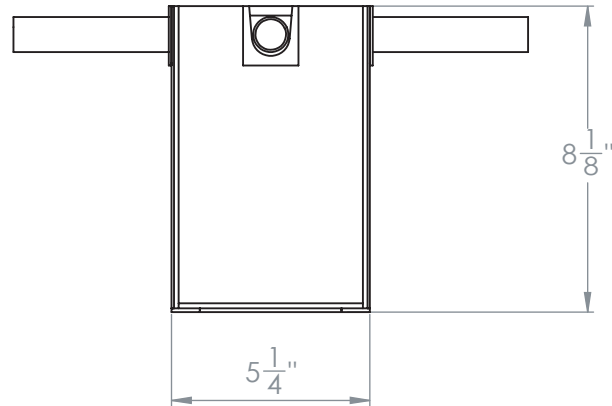


Revised 09/18/18

3.75" Gyro Shift Multiple 1 Head Trim

Flush Conduit Adjustable Architectural Housing

S3FA-1LFC

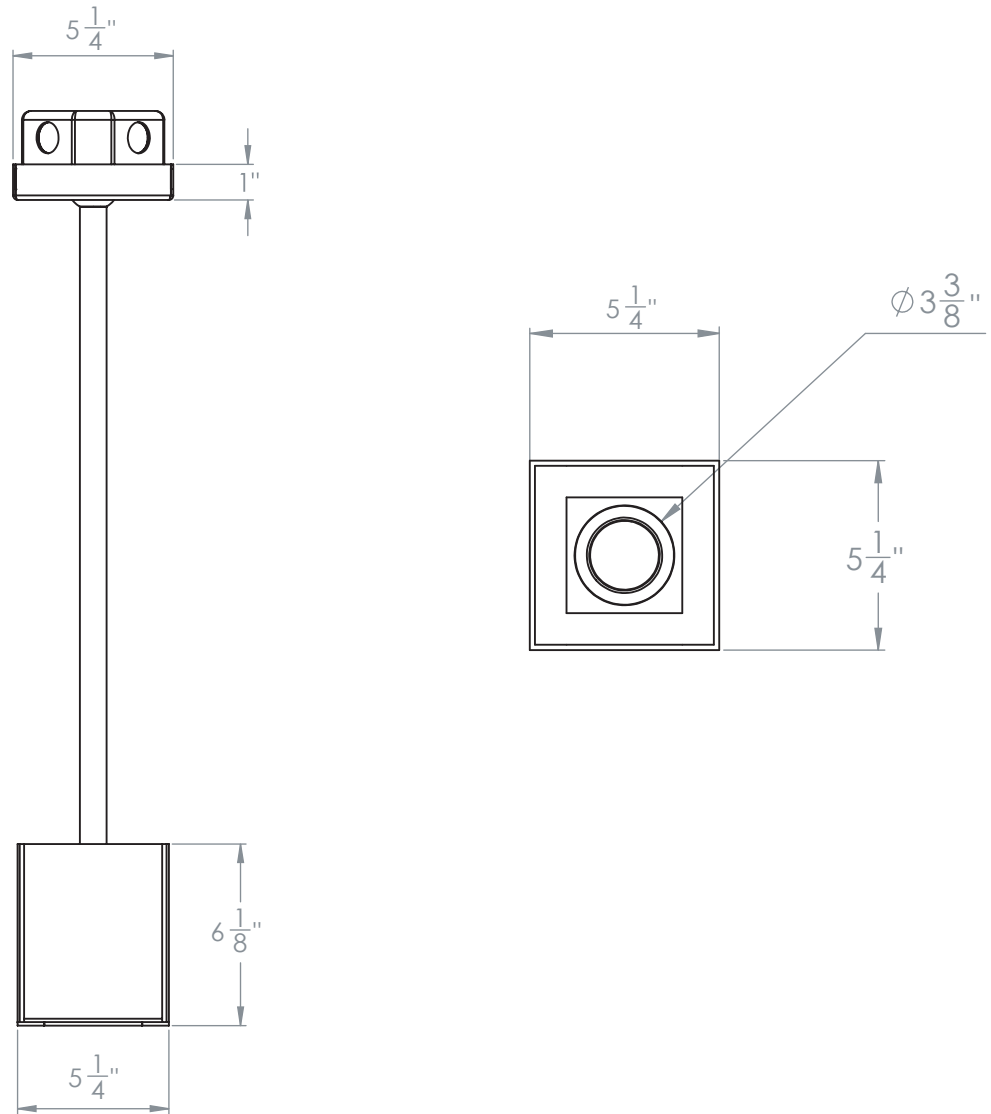


Revised 09/18/18

3.75" Gyro Shift Multiple 1 Head

Suspended Stem Adjustable Architectural Housing

S3FA-1LSS

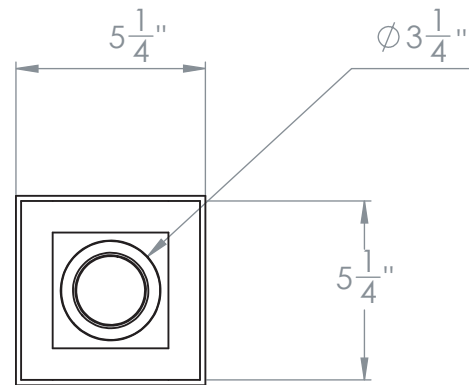
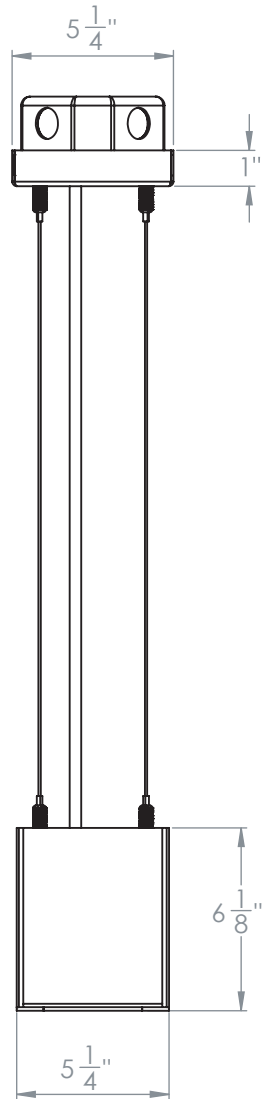


Revised 09/18/18

3.75" Gyro Shift Multiple 1 Head

Suspended Aircraft Adjustable Architectural Housing

S3FA-1LSA



Revised 09/18/18